

117CTK PRO-FIT[®] 4



Complete Toilet Kit, Round Front, SmartHeight™, Vitreous China, Two-Piece Toilet

FEATURES

- Complete toilet kit (CTK)
- 3-bolt SmartFasten™ tank-to-bowl connection
- 1.6 gpf / 6.0 lpf low water consumption
- Round front SmartHeight™ bowl
- 2' flush tower
- Anti-siphon ballcock
- 12" rough-in
- Model 40 chrome-plated plastic trip lever
- 2' glazed trapway
- Mansfield® limited lifetime warranty
- Available in White, Bone and Biscuit



MODEL 117CTK

Toilet seat included

Complete toilet kit



ROUND





SMARTHEIGHT ADA



CTK

COMPONENTS

MODEL #	DESCRIPTION	CODES/STANDARDS
117CTK	Round front, SmartHeight™, two-piece toilet kit. Includes: toilet seat, wax toilet ring, floor bolts, caps, and multi-lingual installation instructions. Water supply hardware not included. Specify color.	 
117	Round front, SmartHeight™ toilet bowl only. Less toilet seat. Specify color.	
160	Tank and cover only with left hand, front-mount, chrome-plated, plastic trip lever. Less supply. Specify color.	
SB100	Round, closed front, plastic toilet seat and cover.	
TANK TRIM & REPLACEMENT PARTS		
40	Trip lever - chrome-plated plastic trip lever, left hand	
211-1112	Flush tower	
08ULF-1112	Anti-siphon ballcock	
630-0030	Replacement flush valve seal	
160-LID	Tank lid	

When properly installed, this product meets the requirements for the Americans with Disabilities Act of 1990 (ADA). Refer to local plumbing codes, as they may vary by location and application.





117CTK PRO-FIT® 4



Complete Toilet Kit, Round Front, SmartHeight™, Vitreous China, Two-Piece Toilet

SPECIFICATIONS

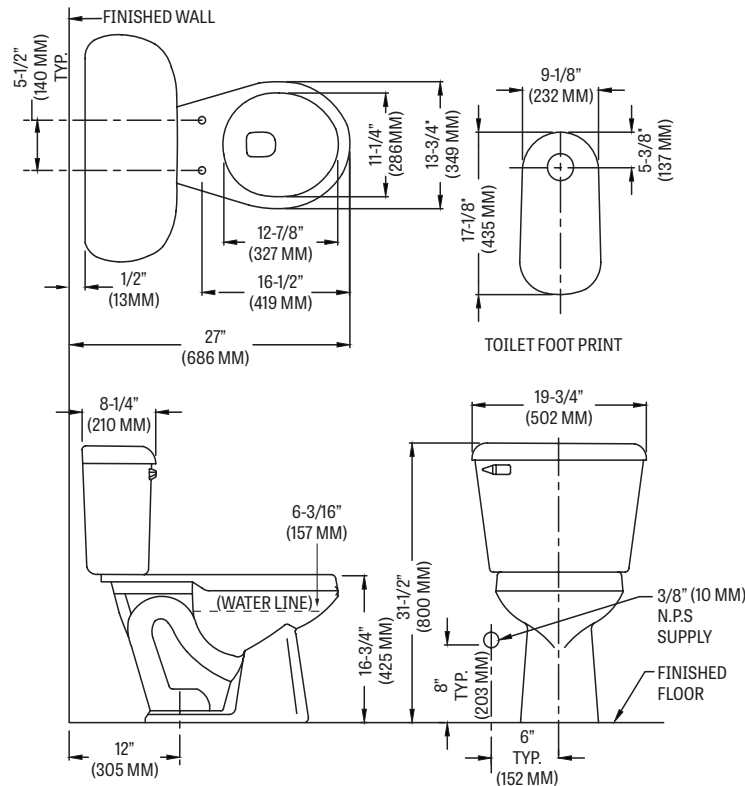
MODEL #	DESCRIPTION	CODES/STANDARDS
117CTK	Round front SmartHeight™ (1.6 gpf / 6.0 lpf) two-piece, complete toilet kit.	 

MATERIAL	Vitreous China
WATER PRESSURE RANGE	20 to 80 PSI
FLUSH SYSTEM	2' Flush Tower
WATER USAGE	1.6 gpf / 6.0 lpf
WATER SURFACE AREA	8' X 9'
ROUGH-IN	12'
MAP RATING	800 grams

TRAP DIAMETER	2'
TRAP SEAL	2-7/8'
SHIPPING WEIGHT	Model 117CTK - 85 lbs. (38.5 kg)
WARRANTY	Vitreous China - Limited Lifetime Tank Trim - Limited One Year

TECHNICAL INFORMATION

Note: these dimensions are nominal and subject to change without notice.



Fixture performance and specifications meet or exceed ASME A112.19.2/CSA B45.1 standards, and other state and local codes.

